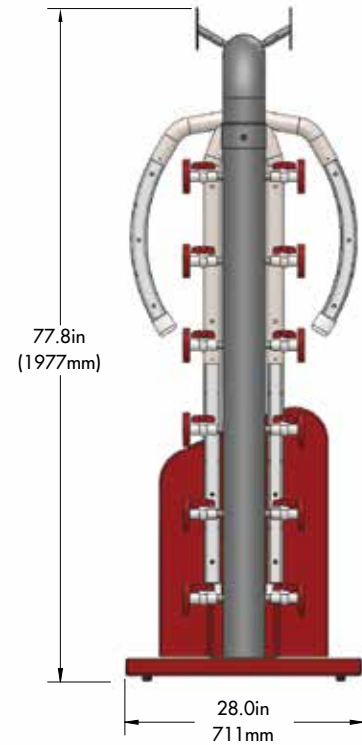




RAM AIR GEAR DRYER SPECIFICATIONS

MODEL 4-MU

	4-MU
Max Number of Gear Sets	4
Number of Accessory Drying Ports	12
Machine Dimensions (WxDxH)	72.2 x 28 x 77.8 in (1834 x 711 x 1977 mm)
Machine Weight	303 lbs (137.4 kg)
Construction Material	stainless steel/12 gauge steel/powder coated paint
Caster Type	360° swivel
Motor Power	1 HP
Motor Speed	3450 rpm
Air Flow	800 cfm
Available Voltages (Volts/Hertz/Phase)	120/60/1
Breaker Size Required	15 Amp
Fan Diameter	10-5/8 inch (270 mm)
Fan Wheel Bore	5/8 inch (16 mm)
Max Temperature	N/A
Control Type	Timer



Specifications subject to change without notice. Please visit www.ramairgeardryer.com or contact Ram Air for most current specifications.



QUESTIONS? CONTACT US. 888-393-3379 | www.ramairgeardryer.com